

# Cable Management



## CONTENTS:

Cable Hub	<a href="#">2</a>
Glovebox	<a href="#">4</a>
Wire Basket	<a href="#">5</a>
Cable Carrier	<a href="#">5</a>
Services Mounting Plate	<a href="#">6</a>
Cable Sleeve	<a href="#">7</a>
Cable Tractor	<a href="#">8</a>
Rectangular Umbilical	<a href="#">9</a>
96mm Duct Mounted on Z Bracket	<a href="#">10</a>
96mm Duct Mounted on Vertical Bracket	<a href="#">10</a>
96mm Dropped Duct (180 & 90 only)	<a href="#">11</a>
Cable Tray 250 x 75	<a href="#">12</a>
Top Mount Plates	<a href="#">13</a>
Worktop Mount Duct	<a href="#">14</a>
Powerblade	<a href="#">15</a>

# Cable Hub – 500mm

## Features:

The Cable Hub has two sets of mounting brackets at each end and can be fixed to the worktop. Please ensure it will not clash with other items fixed underneath the worktop such as table support beams or in-desk boxes.

## Options:

- Cable Hub
- Cable Hub with Cable Sleeve
- Cable Hub with Tractor

## Finishes:

### 100% Recyclable PET:



Mid-Grey

### Powder coated Mounting Brackets:

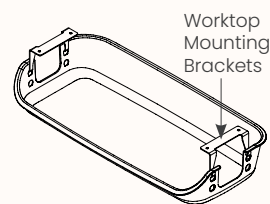


Warm  
Grey



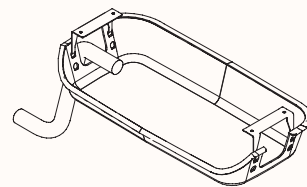
Cool  
Grey

## Dimensions:



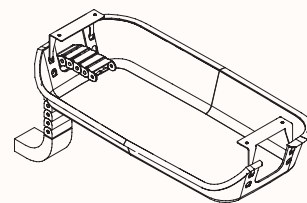
### Cable Hub

Length Range	530mm
	500mm (Internal)
Depth Range	250mm
Overall Height	100mm ; 125mm



### Cable Hub with Cable Sleeve

Length Range	530mm
	500mm (Internal)
Depth Range	250mm
Overall Height	100mm ; 125mm



### Cable Hub with Tractor

Length Range	530mm
	500mm (Internal)
Depth Range	250mm
Overall Height	100mm ; 125mm

# Cable Hub – 950mm

## Features:

The Cable Hub has two sets of mounting brackets at each end and can be fixed to the worktop. Please ensure it will not clash with other items fixed underneath the worktop such as table support beams or in-desk boxes.

## Options:

- Cable Hub
- Cable Hub with cable sleeve
- Cable Hub with Tractor

## Finishes:

### 100% Recyclable PET:



Mid-Grey

### Powder coated Mounting Brackets:

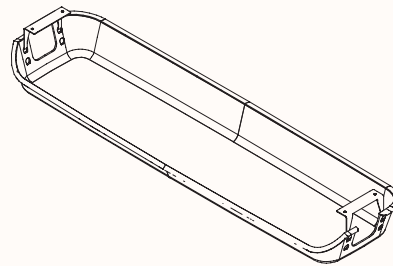


Warm  
Grey



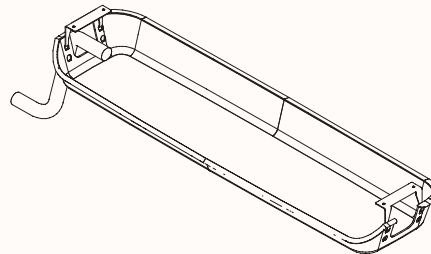
Cool  
Grey

## Dimensions:



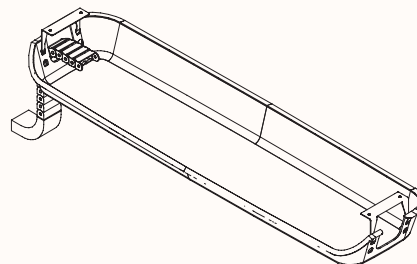
### Cable Hub

Length Range	980mm 950mm (Internal)
Depth Range	250mm
Overall Height	100mm ; 125mm



### Cable Hub with Cable Sleeve

Length Range	980mm 950mm (Internal)
Depth Range	250mm
Overall Height	100mm ; 125mm



### Cable Hub with Tractor

Length Range	980mm 950mm (Internal)
Depth Range	250mm
Overall Height	100mm ; 125mm

# Glovebox

## Glovebox with or without Power Plate

### Features:

The Glovebox is a formed PET cable dump in a fixed size. A low cost and less capacity alternative to the power plate is to order the Glovebox 'without power plate' and then separately order the Services Mount Plate.

### Options:

- Power plate for housing CMS soft wiring sockets

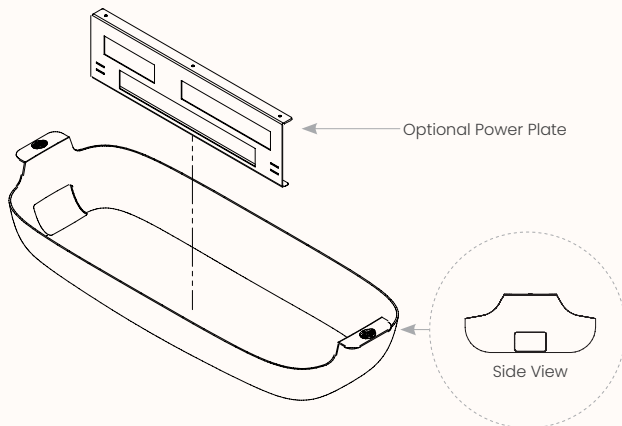
### Finishes:

#### 100% Recyclable PET:



Mid-Grey

### Dimensions:



Length Range	876mm
Depth Range	325mm
Overall Height	152mm

# Wire Basket & Cable Carrier

## Wire Basket - 950mm

### Features:

Wire Baskets are made of wire mesh folded into a range of standard basket sizes. The worktop mounting brackets are welded to the mesh and the basket is then powder coated. The basket height/depth depends on the worktop mounting brackets.

### Options:

- Single Sided
- Double Sided

### Finishes:

#### Powder coat:



Black Ace



Warm Grey



Cool Grey

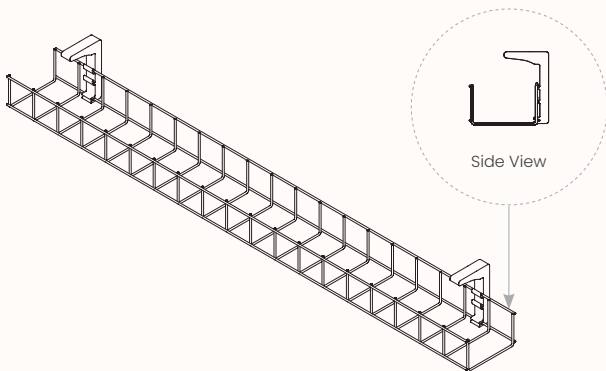


Warm White



Cool White

### Dimensions:



Length Range 950mm  
 Depth Range 50mm  
 Overall Height 50mm

## Cable Carrier - 500mm & 800mm

### Features:

The Cable Carrier consists of an aluminium extrusion and plastic retaining clips. The extrusion fixes to the underside of the worktop and is available in two lengths. Multiple pieces can be used to create longer lengths.

### Finishes:

#### Powder coat:



Black Ace



Warm Grey



Cool Grey

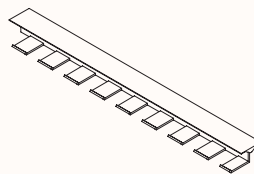


Warm White

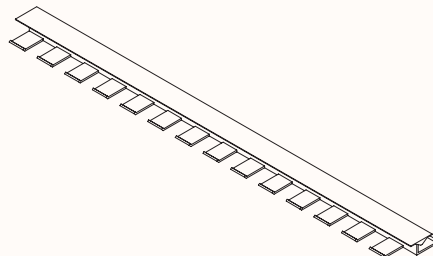


Cool White

### Dimensions:



Length Range 500mm



Length Range 800mm

# Services Mounting Plate

## Features:

The Services Mount Plate is a simple folded sheet metal part to suit required power and data softwiring outlets. The overall plate size is fixed, and are available in two types of plates – dual and quad.

## Options:

- Dual plate fit 2x data and 2x GPO
- Quad plate can fit 2x data and 4x GPO

## Finishes:

### Powder coat:



Black  
Ace



Warm  
Grey



Cool  
Grey

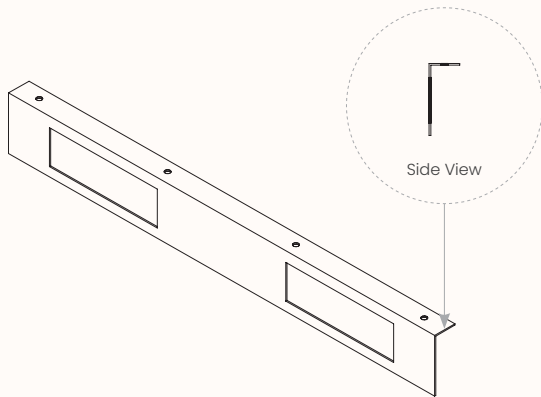


Warm  
White



Cool  
White

## Dimensions:



Length Range	520mm
Depth Range	25mm
Overall Height	65mm

# Cable Sleeve with ABS

**Features:**

The braided Cable Sleeve cleverly conceals the under desk cabling on all Zenith workstations. Designed with a loop at each end to attach the sleeve to the worktop and ducting or floor. Each sleeve can house a maximum of 2 power and 5 data cables. The Sleeve is a textured fabric with a matching ABS guide. It is located inside the braided Cable Sleeve to stiffen the fabric giving it a more rigid appearance. The ABS strip can be removed if desired.

**Finishes:****Fabric:**

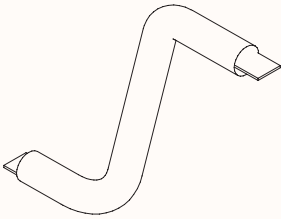
Black



Grey



White

**Dimensions:**

DIA	25mm
Length Range	1000mm

# Cable Tractor

## Features:

The Cable Tractor carries cables from the duct to the worktop and is mainly suited to height adjustable desks. It comes with end brackets and fasteners and has no internal segregation.

## Finishes:

### Powder coat:



Black  
Ace

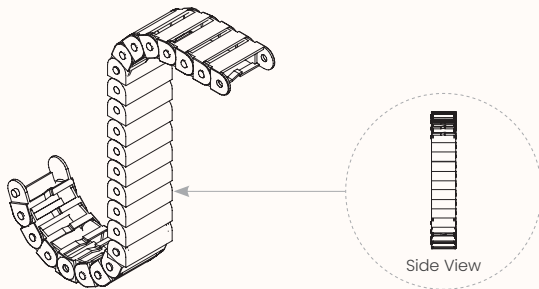


Warm  
White



Cool  
White

## Dimensions:



Length Range	50mm
Depth Range	20mm
Overall Height	1000mm



# Rectangular Umbilical

## Features:

The Rectangular Umbilical carries cables from the duct to the worktop and is mainly suited to height adjustable desks. There are two types of mounting brackets to suit different desk systems:

### Rectangular Umbilical – Horizontal Cable Management

- Standard 96mm duct frame mounted on Orbis & Rumba
- Rumba 96mm dropped duct

The umbilical comes in a 1m length and comes in a 1m length. The umbilical segment is approx. 68mm x 36mm and has internal segregation into 4 compartments.

### Rectangular Umbilical – Vertical Cable Management

The Rectangular Umbilical carries cables from the access floor to the worktop and comes with a floor base at one end and a worktop mounting bracket at the other end. The umbilical comes in a variety of lengths to suit different desk applications:

- 750mm L (suits 720 / 750H fixed height desks)
- 900mm L (suits 900H fixed height desks)
- 1050mm L (suits 1050H fixed height desks)
- 1230mm L (suits electric adjust desks)

The umbilical segment is approx. 68mm x 36mm and has internal segregation into 4 compartments.

## Finishes:

### Powder coat:



Black  
Ace



Warm  
Grey



Cool  
Grey

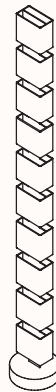


Warm  
White



Cool  
White

## Dimensions:



Length Range	68mm
Depth Range	36mm
Overall Height	750/900/1000/1050/1230mm

# 96mm Duct Mounted on Z Bracket / Vertical Bracket

## 96mm Duct Mounted on Z Bracket

### Features:

The 96mm Duct can be fixed to the worktop using Z-brackets. The Z-brackets offset the duct to give flexibility in the mounting position and avoid other items under the worktop.

### Finishes:

#### Powder coat:



Black  
Ace



Warm  
Grey



Cool  
Grey

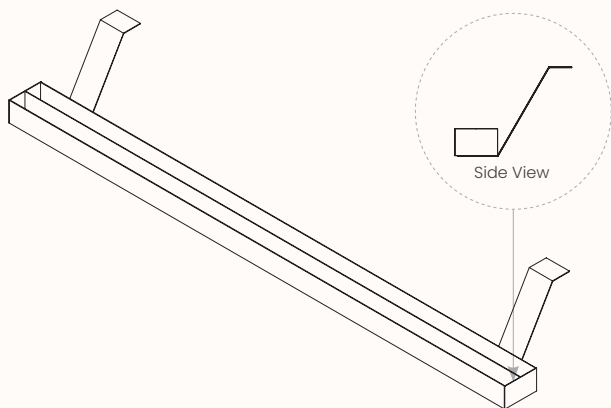


Warm  
White



Cool  
White

### Dimensions:



Length Range	500-2700mm
Depth Range	236mm
Overall Height	160mm

## 96mm Duct Mounted on Vertical Bracket

### Features:

The 96mm Duct can be fixed to the worktop using vertical brackets. The Vertical Brackets provide a smaller footprint and give flexibility in the mounting position and avoid other items under the worktop.

### Finishes:

#### Powder coat:



Black  
Ace



Warm  
Grey



Cool  
Grey

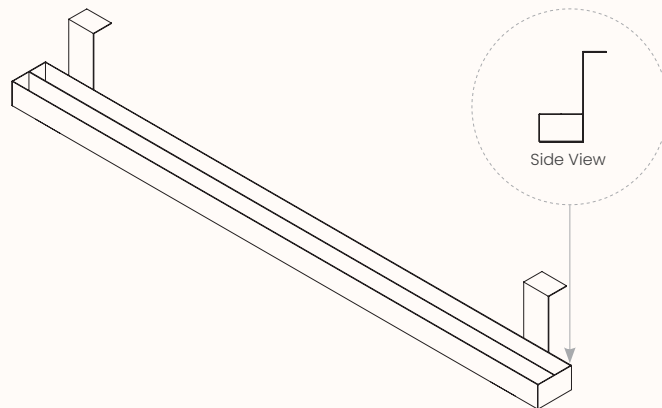


Warm  
White



Cool  
White

### Dimensions:



Length Range	500-2700mm
Depth Range	149mm
Overall Height	160mm

# 96mm Dropped Duct (180 & 90 Only)

## Features:

The frame mounted 96mm Duct on Rumba is higher than Orbis. When the Rumba desk is height adjustable and at the minimum desk height, the 96mm Duct can clash with cable management products fixed under the worktop. The 96mm Dropped Duct is available for 180-degree and 90-degree configurations.

## Finishes:

### Powder coat:



Black  
Ace



Warm  
Grey



Cool  
Grey

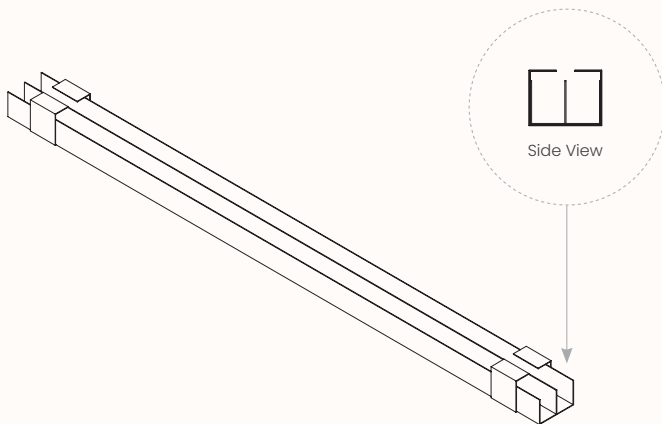


Warm  
White



Cool  
White

## Dimensions:



Length Range	500-2700mm
Depth Range	114mm
Overall Height	76mm

# Cable Tray 250 x 75

## Features:

The Cable Tray has mounting / cutout features to suit umbilicals, access floor powerblades and cable ties. Optional accessories include tray lid, end cover and GPO insert.

## Finishes:

### Powder coat:



Black  
Ace



Warm  
Grey



Cool  
Grey

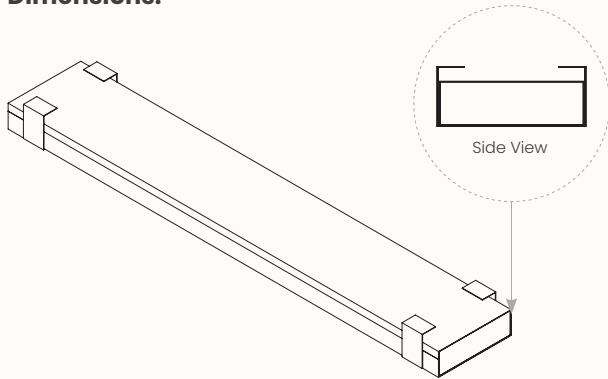


Warm  
White



Cool  
White

## Dimensions:



Length Range	Variable
Depth Range	250mm
Overall Height	75mm

# Top Mount Plates

## Features:

Top Mount Plates are folded sheet metal parts which fix to the underside of the worktop to house power/data outlets. The Top Mount Plates are designed to seamlessly integrate with other cable management products such as the Worktop Mount Duct.

## Finishes:

### Powder coat:



Black  
Ace



Warm  
Grey



Cool  
Grey

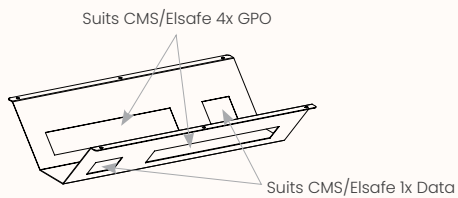


Warm  
White



Cool  
White

## Dimensions:



### CMS/Elsafe

#### Top Mount Plates

Length Range	410mm
Depth Range	284mm
Height Range	90mm

# Worktop Mount Duct

## Features:

The Worktop Mount Duct is a simple folded steel cable tray compatible with multiple different power/data requirements and other cable management products such as the Top Mount Plates. The underside of the duct comes with attachment points for an umbilical to the floor.

## Finishes:

### Powder coat:



Black  
Ace



Warm  
Grey



Cool  
Grey

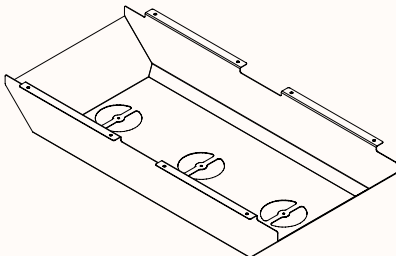


Warm  
White



Cool  
White

## Dimensions:



Length Range	660mm
Depth Range	324mm
Overall Height	110mm to suit CMS/Elsafe top mount plates

# 96mm Powerblade

## Features:

The 96mm Powerblade carries cables from the access floor to the 96mm Duct. The 96mm Duct can be fixed to the desk frame or the worktop (depending on the desk system). 96mm Powerblades are available in the following types:

- Rumba (suits 96mm duct frame-mounted to the 517H or 615H crossbeam / screen arm / duct arm on single desks and pods or 96mm dropped duct)

## Finishes:

### Powder coat:



Black  
Ace



Warm  
Grey



Cool  
Grey

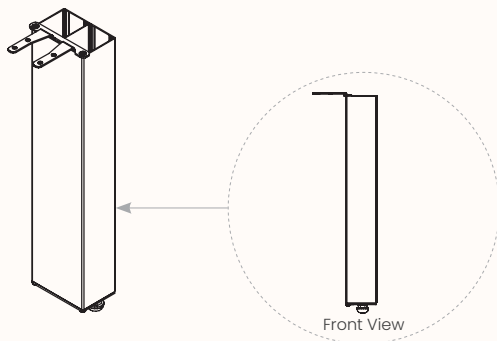


Warm  
White



Cool  
White

## Dimensions:



Length Range	96mm
Depth Range	60mm
Overall Height	Any height (Floor to workstation)

# 100 x 30 Powerblade & 100 x 50 Powerblade

## 100 x 30 Powerblade

### Features:

100 x 30 Powerblade is designed to bring cabling in from the ceiling to the workstation. It can be fitted from floor or bottom of screen up to the ceiling. Can be compatible with S30 screen as well.

### Finishes:

#### Powder coat:



Black Ace



Warm Grey



Cool Grey



Warm White



Cool White

### Dimensions:



Length Range 100mm  
Depth Range 30mm  
Overall Height Any height  
(Can go to the ceiling)

## 100 x 50 Powerblade

### Features:

100 x 50 Powerblade is designed to bring cabling in from the ceiling to the workstation. It can be fitted from floor or bottom of screen up to the ceiling. Can be compatible with S50 screen as well.

### Finishes:

#### Powder coat:



Black Ace



Warm Grey



Cool Grey



Warm White



Cool White

### Dimensions:



Length Range 100mm  
Depth Range 50mm  
Overall Height Any height  
(Can go to the ceiling)